



S12-290AGM 12V 260Ah (C20)



CONSTANT CURRENT DISCHARGE (AMPS)

CUT OFF VOLTAGE V/CELL	30M	45M	1H	2H	3H	5H	8H	10H	12H	20H	24H
1.75V	233	172	147.8	78.3	58.9	41.3	28.3	23.40	19.93	13.00	10.88

CAPACITY in AH (C20)	RESERVE CAPACITY	CCA	
	@25AMPS	CCA@0°C	CCA@-18°C
260	578 Mins.	1830	1525

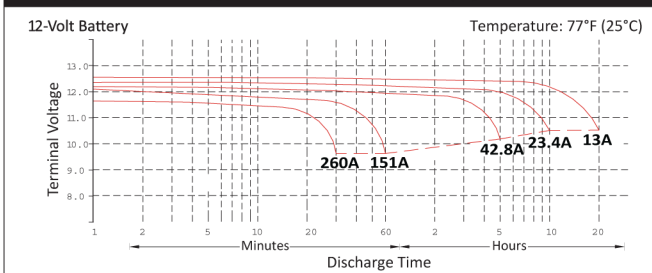
SPECIFICATIONS

Nominal Voltage		12 Volt
Rated Capacity (20 Hour Rate)		260AH
DIMENSIONS	Total Height (Including Terminals)	245mm
	Height	224mm
	Length	521mm
	Width	269mm
Weight		78.0Kg

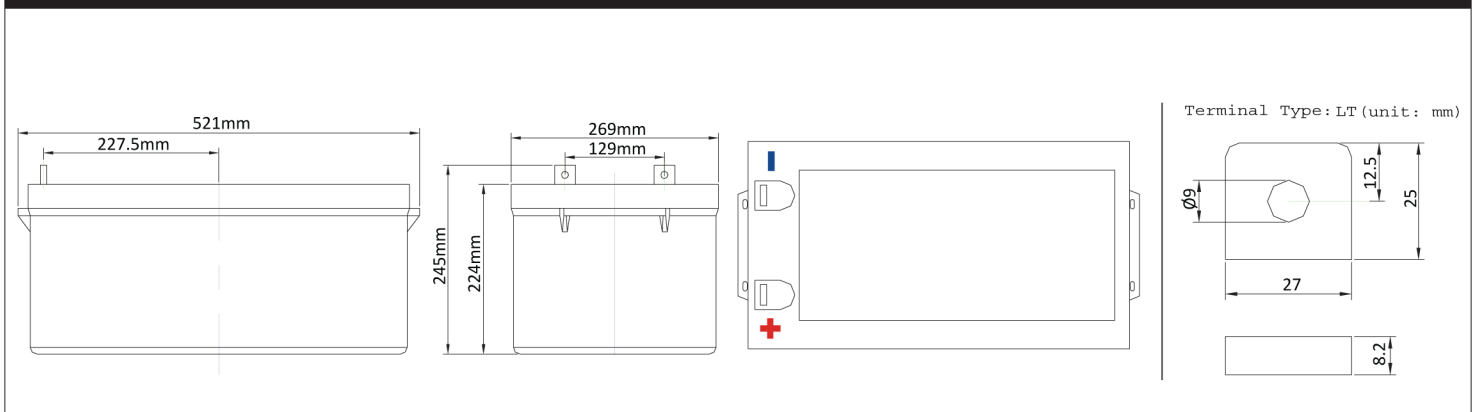
CHARACTERISTICS

Capacity 25°C (77°F)	20 Hour Rate (13.0A to 10.5 Volts)	260AH
	10 Hour Rate (23.43A to 10.5Volts)	234AH
	5 Hour Rate (42.8A to 10.2 Volts)	214AH
Internal Resistance	Full Charged Battery 25°C (77°F)	1.8mΩ
Capacity Affected by Temperature (20 Hour Rate)	40°C (104°F)	102%
	25°C (77°F)	100%
	0°C (32°F)	85%
	-15°C (5°F)	65%
Self-Discharge 25°C (77°F)	Capacity after 3 Month Storage	91%
	Capacity after 6 Month Storage	82%
	Capacity after 12 Month Storage	64%
Max. Discharge Current 25°C (77°F)	2600A (5s)	
Terminal	Standard	Lug Terminal (LT)
Charging (Constant Voltage)	Cycle	Initial Charging Current ≤ 0.2 x C20 14.5V ~ 14.9V/25°C(77°F)
	Float	13.6V ~ 13.8V/25°C(77°F)

DISCHARGE CHARACTERISTICS



SIZE & DETAILED ILLUSTRATION



This information is generally descriptive only and is not intended to make or imply any representation, guarantee or warranty with respect to any cells and batteries. Cell and battery designs/specifications are subject to modifications without notice. Contact Rolls Battery for the latest information.

